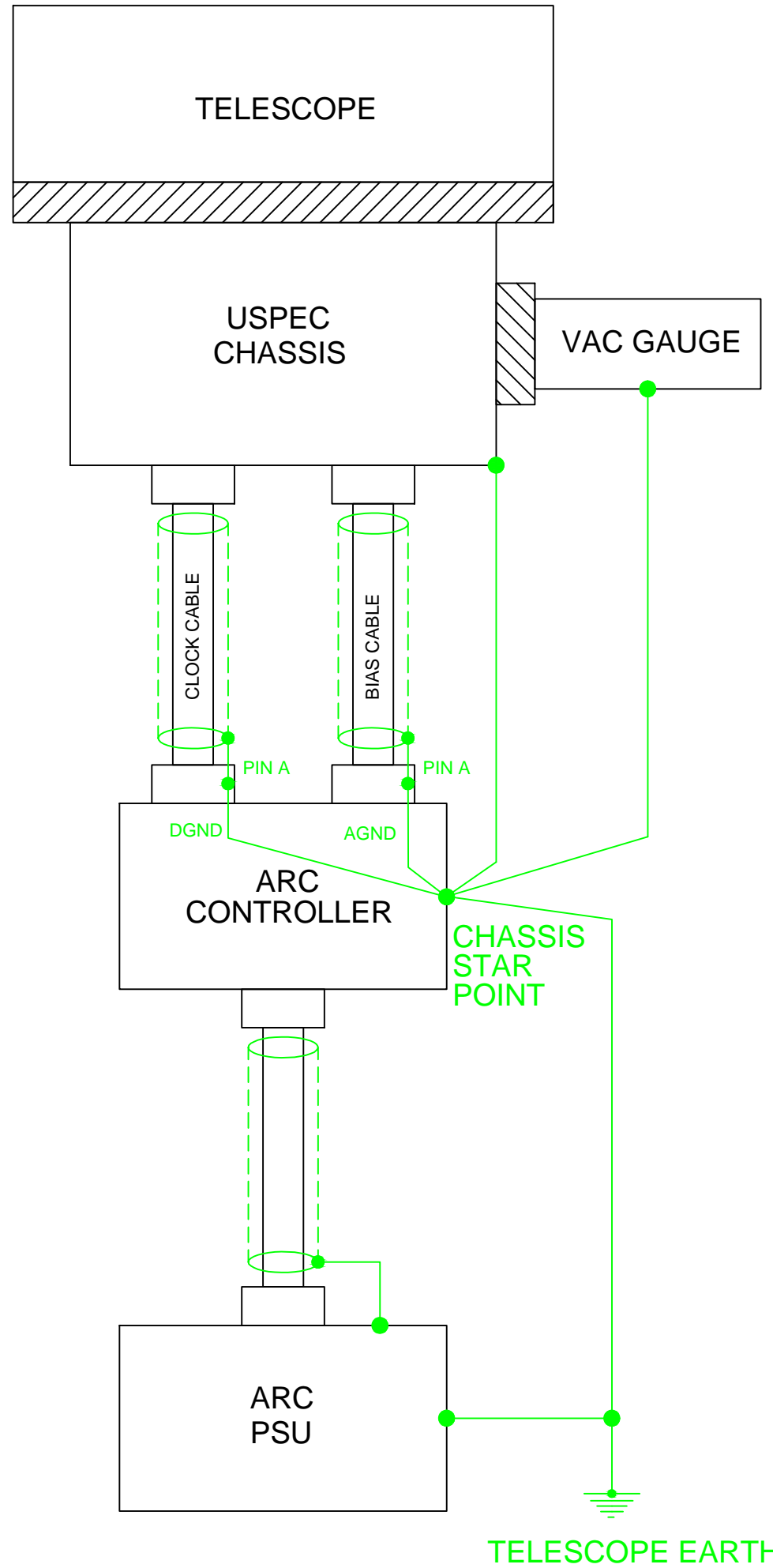
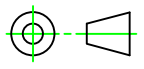


Used in assy drawing no.
 Assy name

 ELECTRICALLY ISOLATED



THIRD ANGLE PROJECTION DIMENSIONS IN MM		UKATC	Royal Observatory Blackford Hill Edinburgh EH9 3HJ
Last Mod.			
Drawing No. USPEC_01			
Material	Weight	Kg	
Finish	App'd DATE - WHO	Issue	
Tolerances	Mod'd DATE - WHO	A	
Title	Drawn 19-11-13 BW		
GROUNDING DIAGRAM	Sheet 1 of 1	Part no.	
	Instrument ULTRA SPEC		